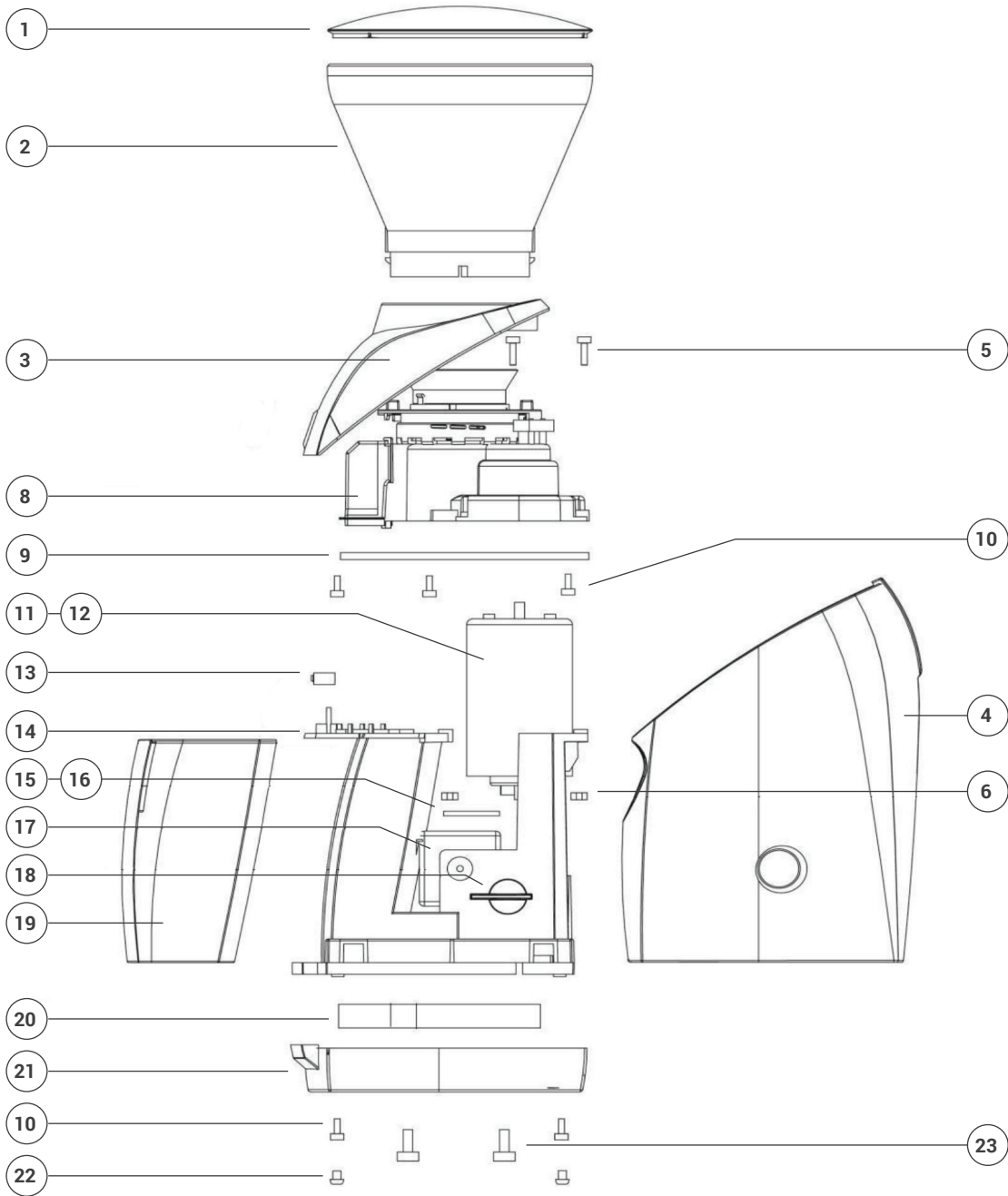




# Encore

## MAIN ASSEMBLY



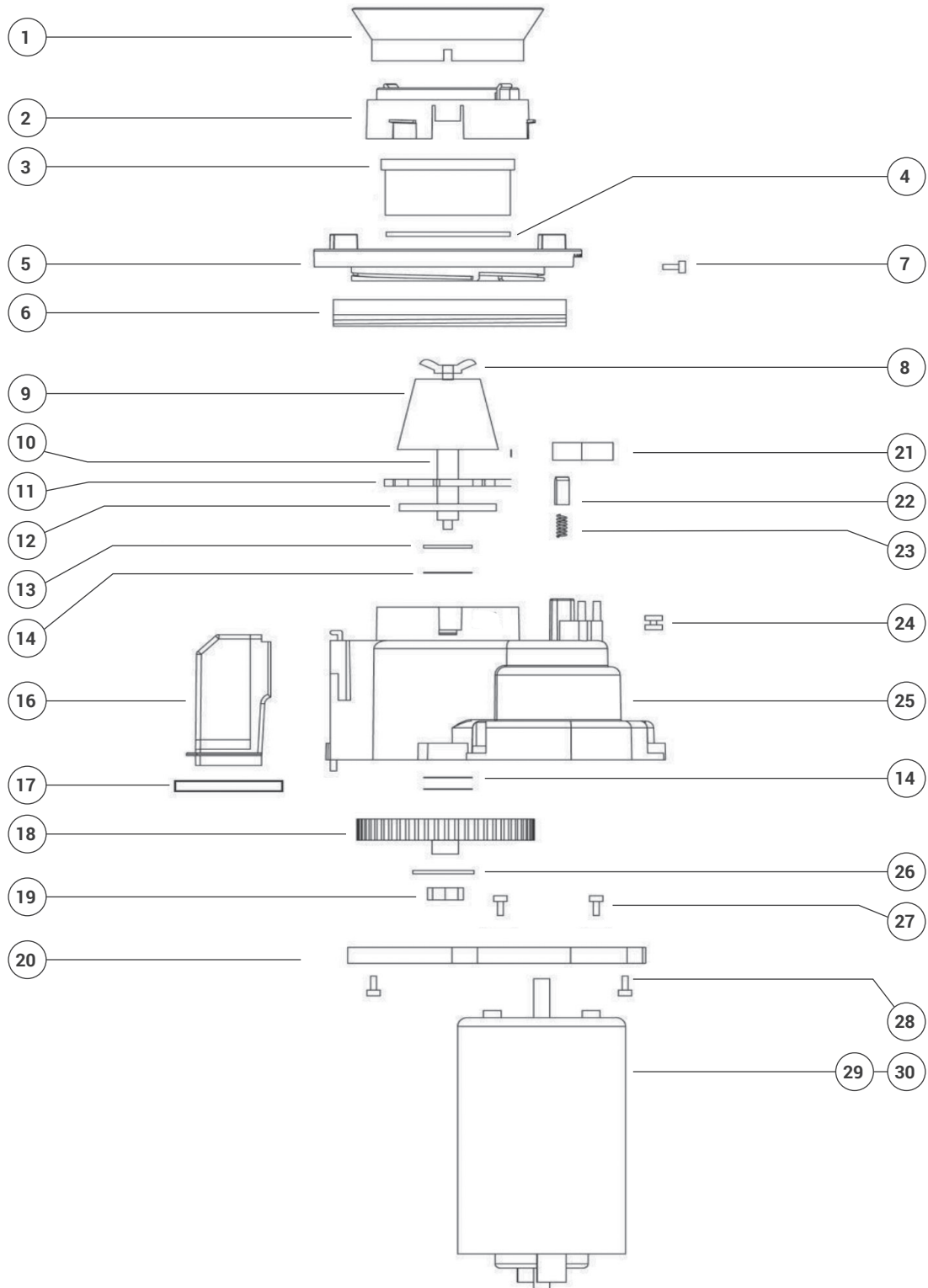
## ENCORE MAIN ASSEMBLY

Item Number	Part Number	Part Description	Total Used
1	1010**	Hopper Lid Clear	1
2	6111**	Hopper Clear	1
3	6013	Black Top Case (Encore)	1
3	6013-W	White Top Case (Encore)	1
4	6051	Black Rear Case (Encore)	1
4	6051-W	White Rear Case (Encore)	1
5	F6119*	M3x20 Machine Screw	2
6	F6120*	M3 Hex Nut	2
8	na	Conical Gearbox Sub-Assembly	1
9	6094*	Conical Motor Plate (with bushing)	1
10	F6121*	M3.5x11 Plastic Thread Cutting Screw	8
11	6026**	120V Motor (Encore/Virt/Virt+/Preciso)	1
12	6027**	230V Motor (Encore/Virt/Virt+/Preciso)	1
13	6032*	Micro Switch	1
14	6035	Conical Chassis	1
15	6082*	120v Printed Circuit Board	1
16	6083*	230v Printed Circuit Board	1
17	6037	On/Off Switch	1
18	6038*	Black On/Off Knob (Encore)	1
18	6038-W*	White On/Off Knob (Encore)	1
19	6142	Conical Grounds Bin Clear w/Fill Line	1
20	6021	Ballast for Encore/Virt/Virt+/Preciso	1
21	6045	Black Plastic Base (Encore)	1
21	6045-W	White Plastic Base (Encore)	1
22	6049**	Rubber Foot	4
23	F6122	M6-1.25x8 machine screw	2

\*\* Frequently needed service parts

\* Occasionally needed service parts NOTE: No need to stock parts without asterisks.

# ENCORE GRIND/MOTOR ASSEMBLY



## ENCORE GRIND/MOTOR ASSEMBLY

Item Number	Part Number	Part Description	Total Used
1	6066**	Silicone Gasket	1
2	6068**	Ring Burr Holder	1
3	6170*	M2 Ring Burr	1
4	6065*	Ring Burr O-Ring	1
5	6076**	Adjustment Ring	1
6	6077**	Calibration Ring	1
7	F6177*	M2x6 Self Tapping Screw	1
8	F6179	M4 left hand thread wing nut	1
9	6173	M3 Cone Burr	1
10	6079*	Encore Shaft (Accepts Wing Nut)	1
11 & 12	6380**	Paddle Wheel w/Felt	1
13	F6087*	M10-16mmOD, 2.5mm thick washer shim	1
14	F6085*	M10-16mmOD, 0.25mm thick washer shim	3
16	6088	Ground Chute	1
17	6089	Ground Chute Gasket	1
18	6091**	Main Drive Gear	1
19	F6192	M8 hex nut	1
20	6094*	Conical Motor Mounting Plate (with bushing)	1
21	6032*	Micro Switch	1
22	6196**	Detent	1
23	6197*	Detent Spring	1
24	6105*	Grommet Sleeve Assembly	1
25	6000	Conical Gearbox Housing (w/2 of 6105 Grmt Slv & detent spring)	1
26	F6193	M8 Internal tooth star lock washer	1
27	F6189	M5x12 Machine Screw	2
28	F6121	M3.5x11 Plastic Thread Cutting Screw	4
29	6026**	120V Motor (Encore/Virt/Virt+/Preciso)	1
30	6027**	230V Motor (Encore/Virt/Virt+/Preciso)	1

\*\* Frequently needed service parts

\* Occasionally needed service parts NOTE: No need to stock parts without asterisks.